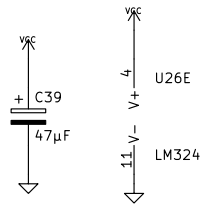
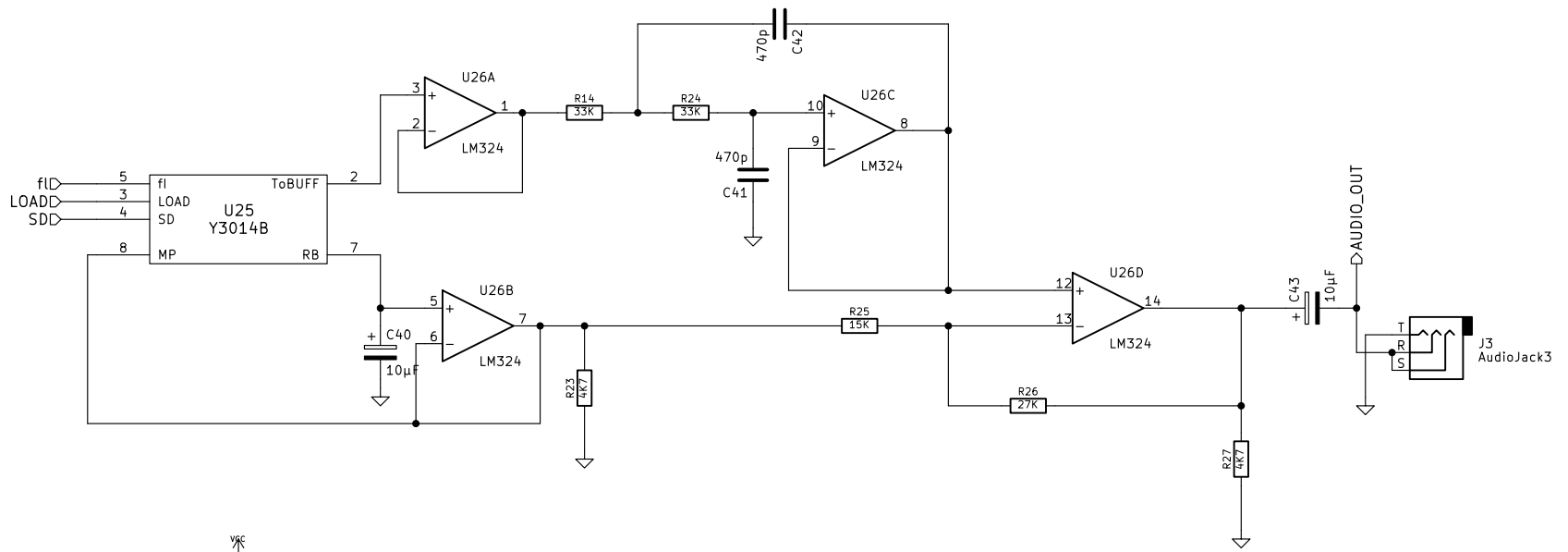
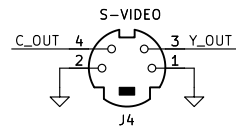
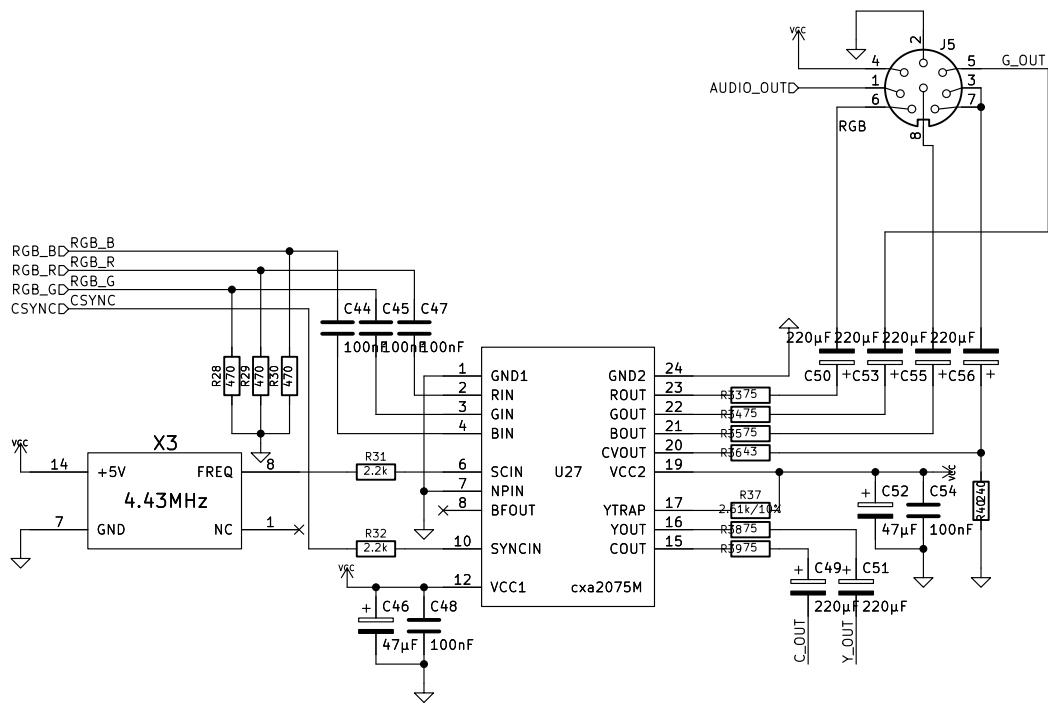


Sheet: /Video_Audio/ File: vdpopl.kicad_sch	
<b>Title:</b>	
Size: A4	Date:
KiCad E.D.A. 10.0.4	Rev: Id: 4/9



Sheet: /Video_Audio/Audio_analog/	
File: a_analog.kicad_sch	
<b>Title:</b>	
Size: A4	Date:
KiCad E.D.A. 10.0.4	Rev: 5/9



Sheet: /Video\_Audio/Video\_analog/  
 File: v\_analog.kicad\_sch

**Title:**

Size: A4

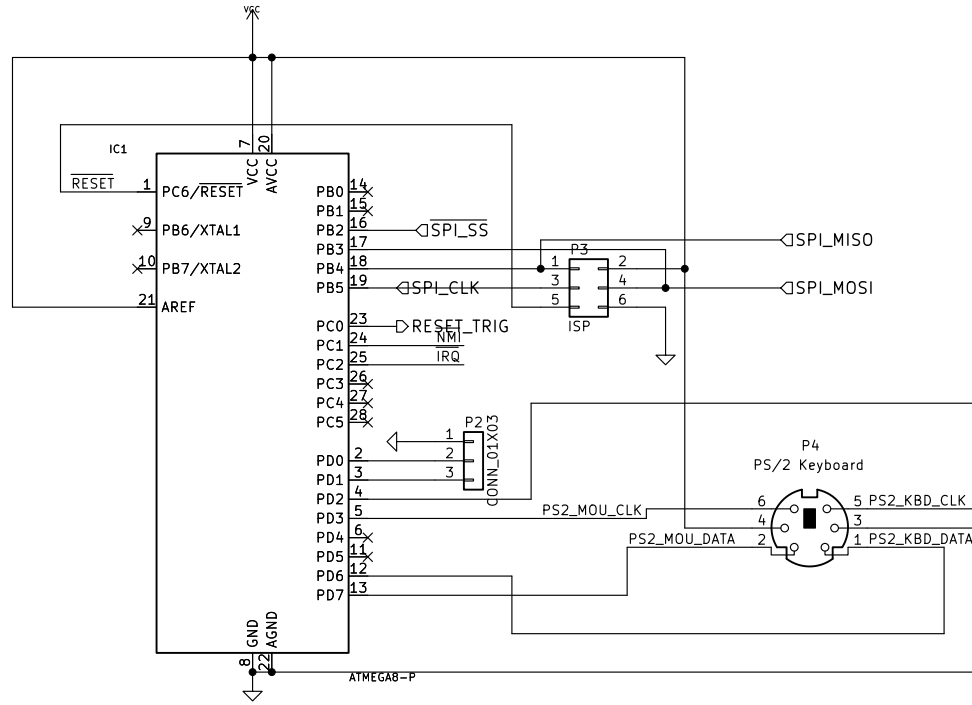
Date:

KiCad E.D.A. 10.0.4

**Rev:**

Id: 6/9

NMI —▷ NMI  
 IRQ —▷ IRQ  
 RESET —▷ RESET



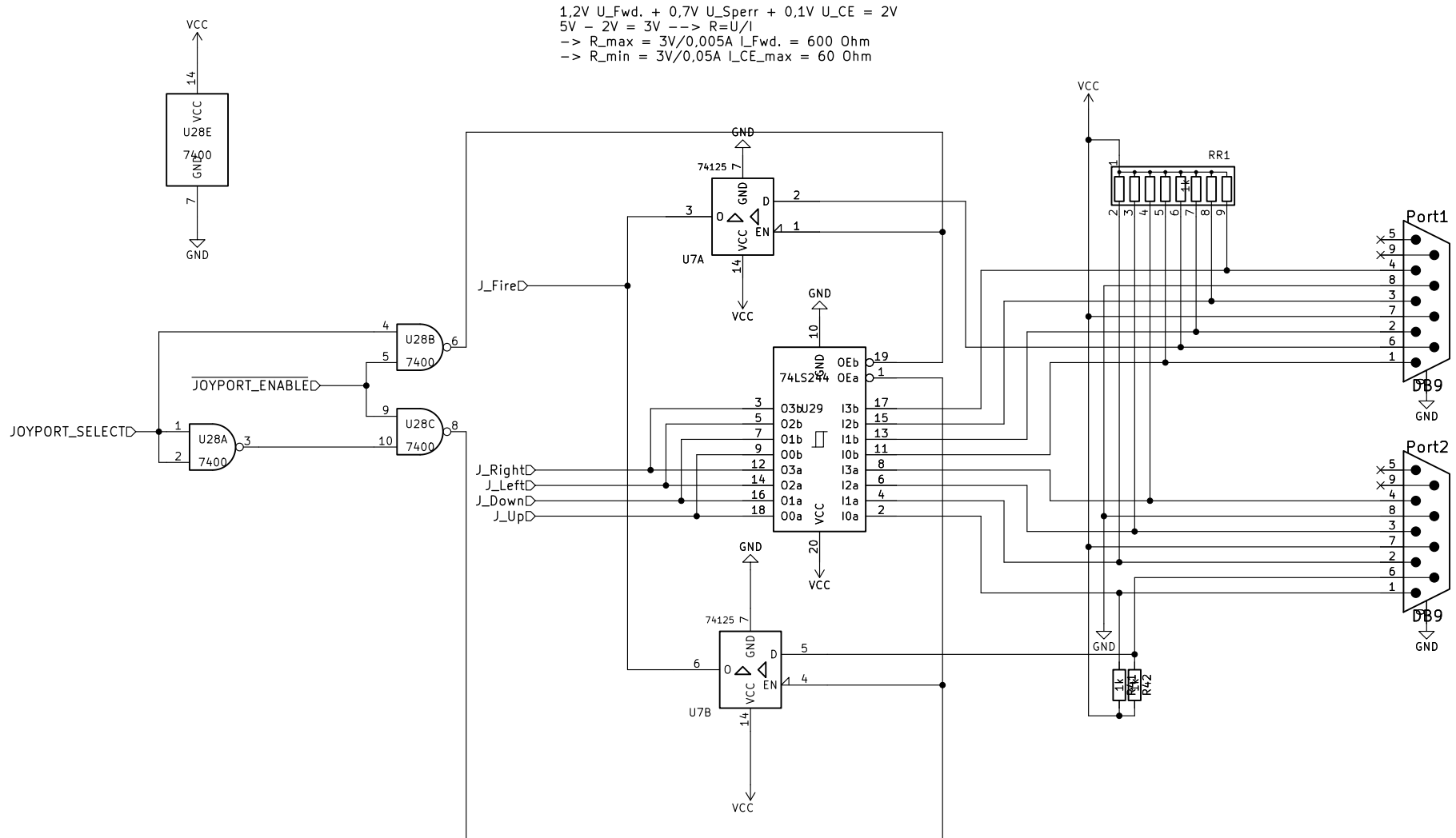
Sheet: /Kbd\_controller/  
 File: kbd.kicad\_sch

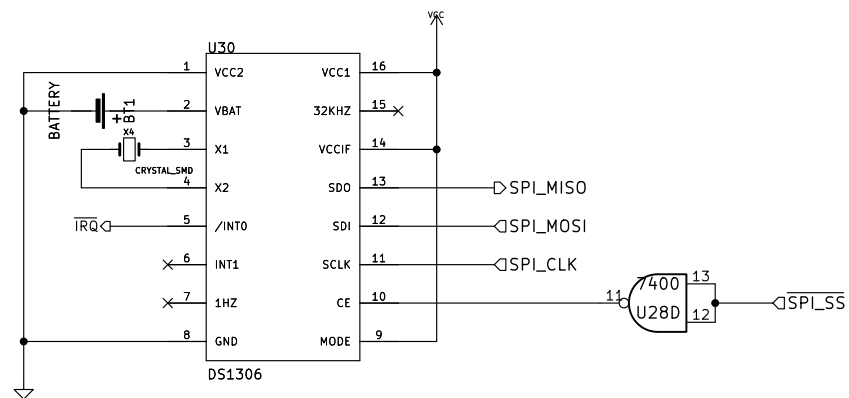
**Title:**

Size: A4  
 KiCad E.D.A. 10.0.4

Date:

Rev:  
 Id: 7/9





Sheet: /RTC/  
 File: rtc.kicad\_sch

**Title:**

Size: A4  
 KiCad E.D.A. 10.0.4

Date:

Rev:  
 Id: 9/9