

Sheet: /Video_Audio/Audio_analog/
 File: a_analog.kicad_sch

Title:

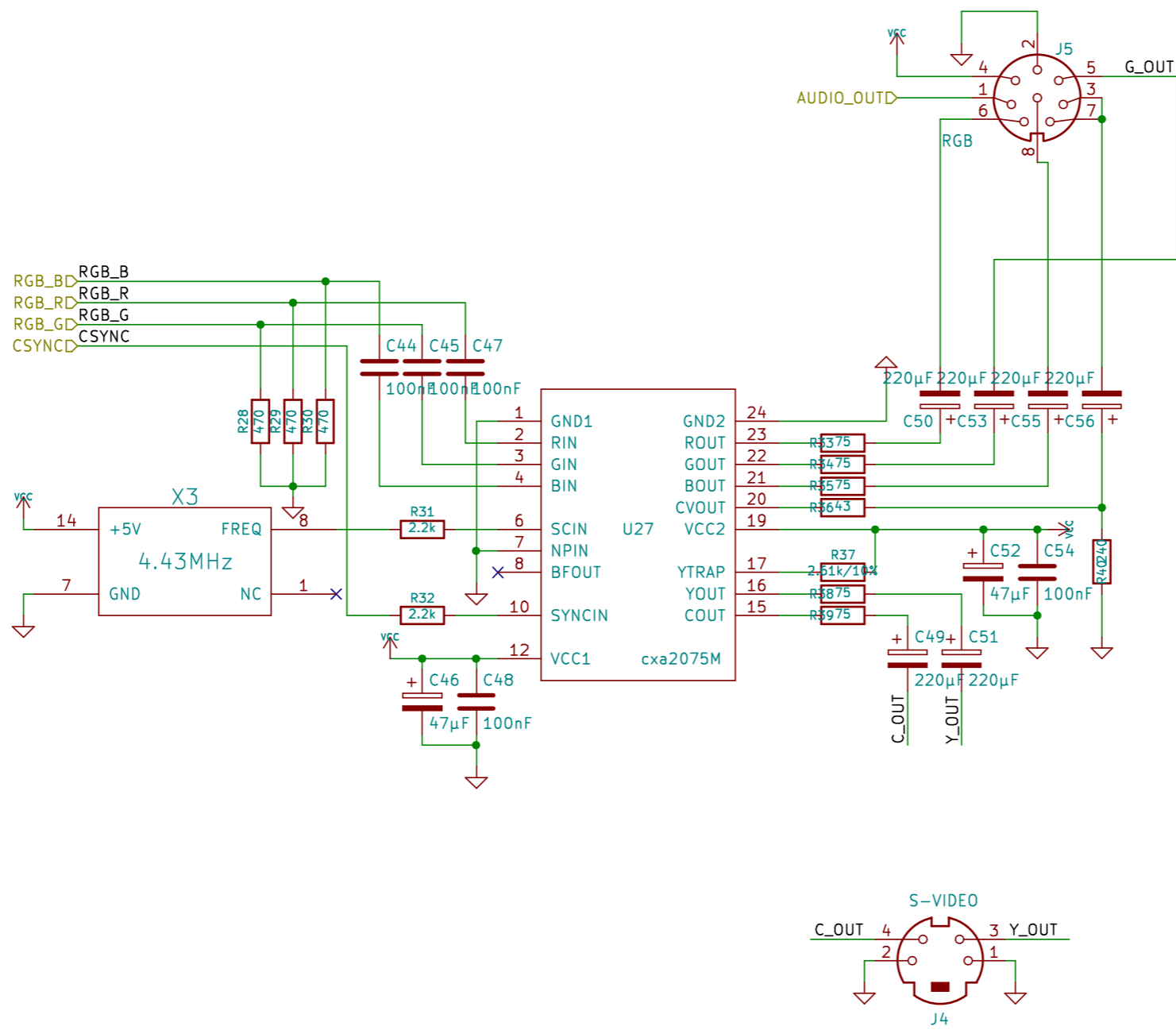
Size: A4

Date:

Rev:

KiCad E.D.A. kicad 7.0.8-7.0.8-ubuntu22.04.1

Id: 5/9



Sheet: /Video_Audio/Video_analog/
 File: v_analog.kicad_sch

Title:

Size: A4

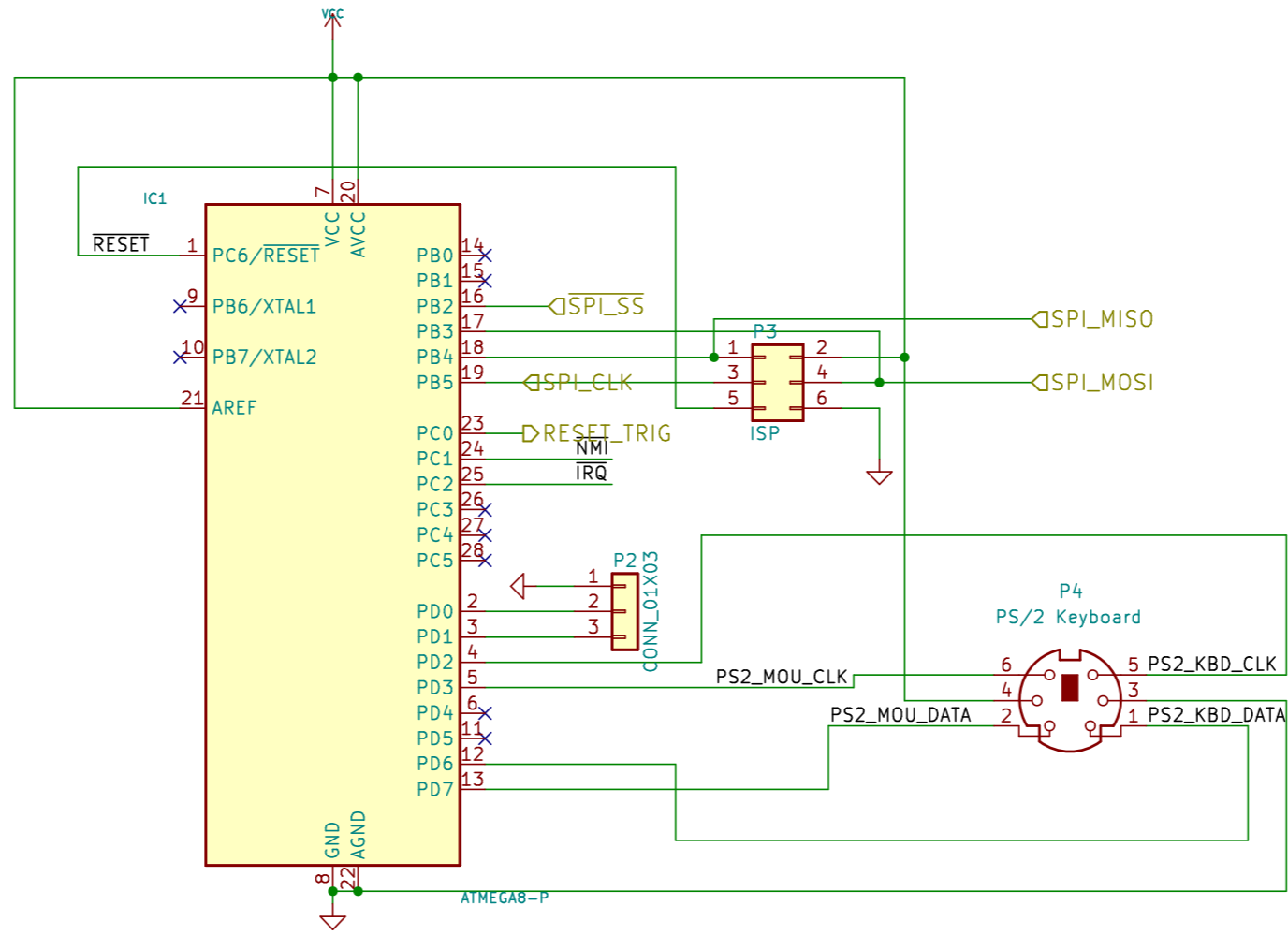
Date:

Rev:

KiCad E.D.A. kicad 7.0.8-7.0.8-ubuntu22.04.1

Id: 6/9

NMI \rightarrow NMI
 IRQ \rightarrow IRQ
 RESET \rightarrow RESET



Sheet: /Kbd_controller/
 File: kbd.kicad_sch

Title:

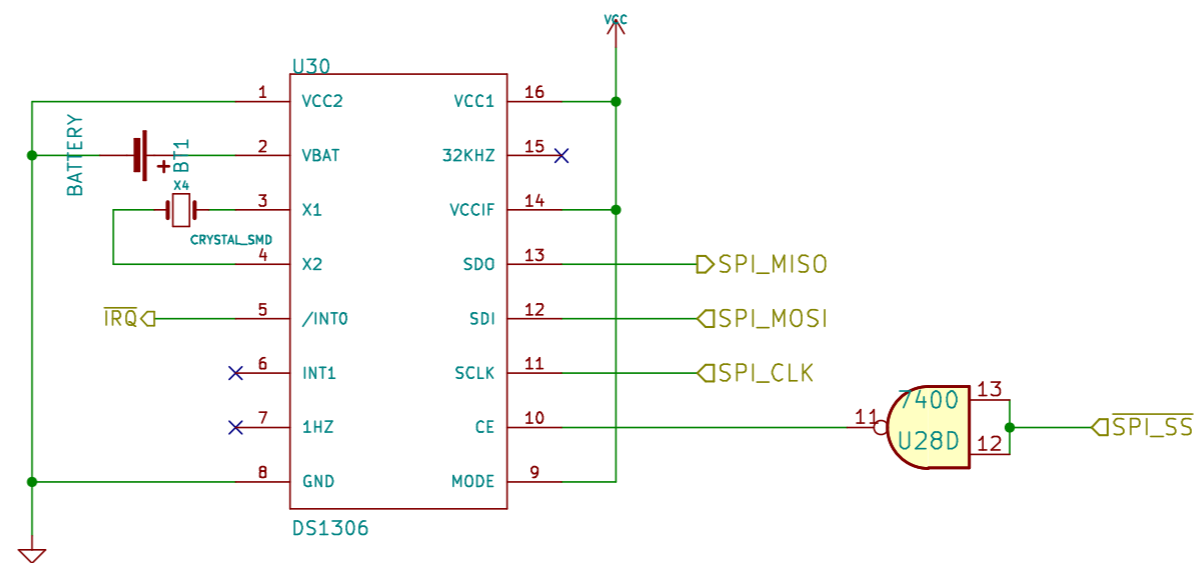
Size: A4

Date:

Rev:

KiCad E.D.A. kicad 7.0.8-7.0.8-ubuntu22.04.1

Id: 7/9



Sheet: /RTC/
 File: rtc.kicad_sch

Title:

Size: A4 Date:
 KiCad E.D.A. kicad 7.0.8-7.0.8-ubuntu22.04.1

Rev:
 Id: 9/9