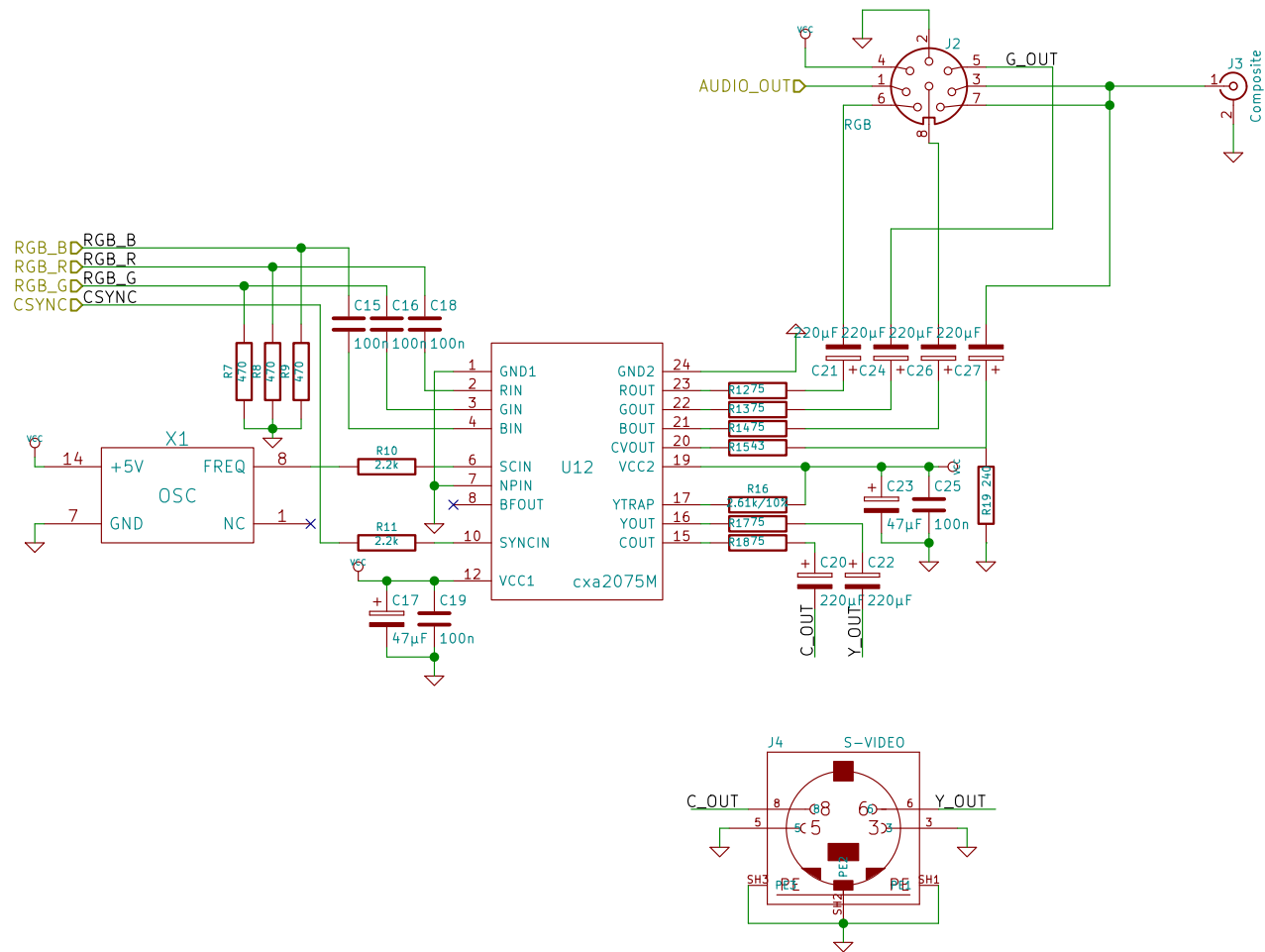


Sheet: /50pin connector/ File: 50pin_connector.sch		
Title:		
Size: A4	Date:	Rev:
KiCad E.D.A. kicad 4.0.7-e2-637661ubuntu18.04.1		Id: 2/4



Sheet: /Video/
File: video.sch

Title:

Size: A4 Date:
KiCad E.D.A. kicad 4.0.7-e2-637661ubuntu18.04.1

Rev:
Id: 4/4